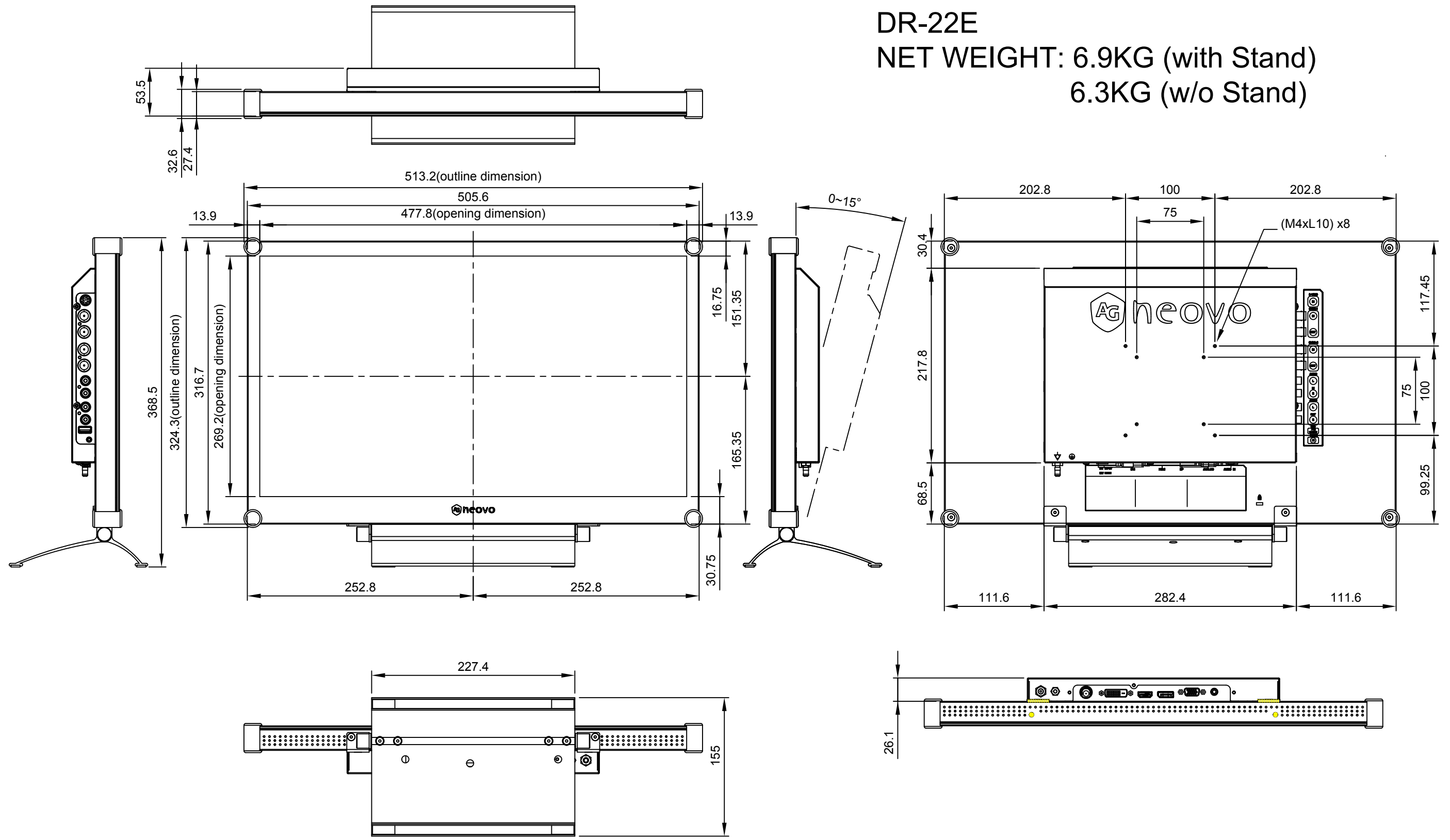


DR-22E
NET WEIGHT: 6.9KG (with Stand)
6.3KG (w/o Stand)



SPECIFICATIONS SUBJECT TO CHANGE WITHOUT NOTICE.

| | |
|---|---------------------------------------|
|  www.agneovo.com | Model Name: |
| | DR-22E |
| <small>THIS DRAWING ON THIS PRINT AND INFORMATION BELONG WITH AG Neovo. ANY REPRODUCTION IN PART OR WHOLE WITHOUT WRITTEN PERMISSION OF AG Neovo IS PROHIBITED.</small> | <small>THIRD ANGLE PROJECTION</small> |
| SCALE | 1:1 |
| UNITS | MM |
| V. | 01 |