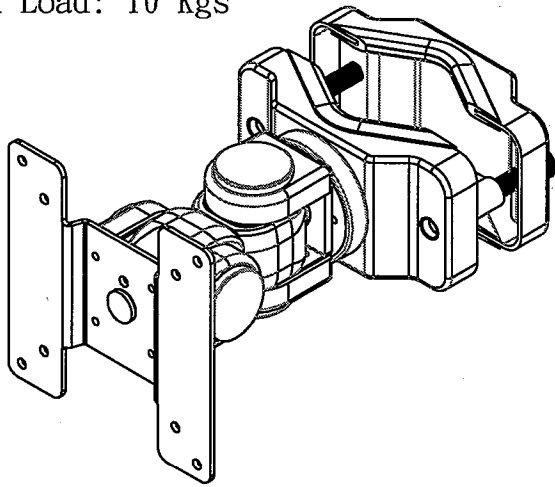


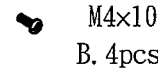
Max Load: 10 Kgs



Part List:



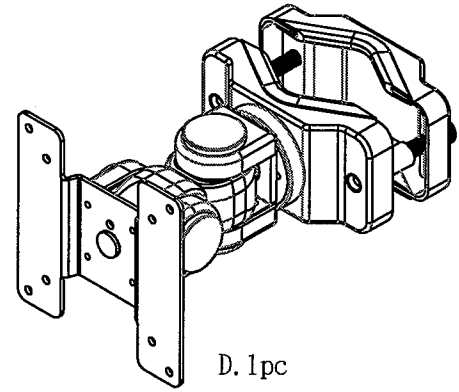
A. M6x1pc



M4x10
B. 4pcs

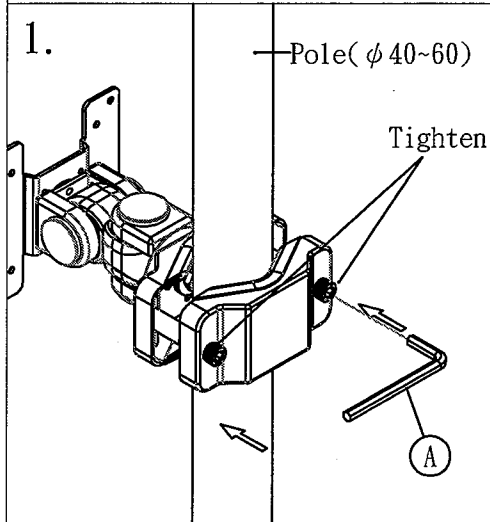


C. 1pc

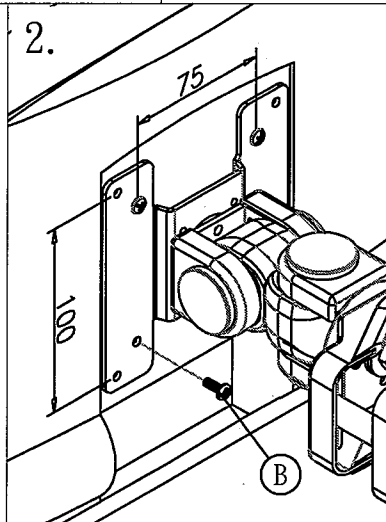


D. 1pc

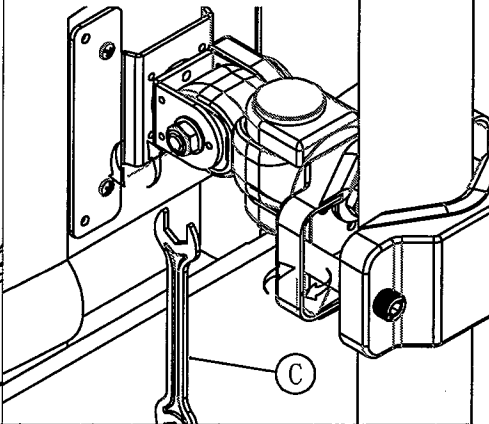
1.



2.

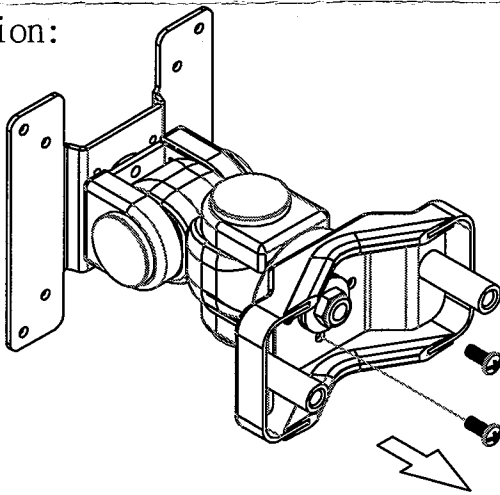


Adjust ... if necessary

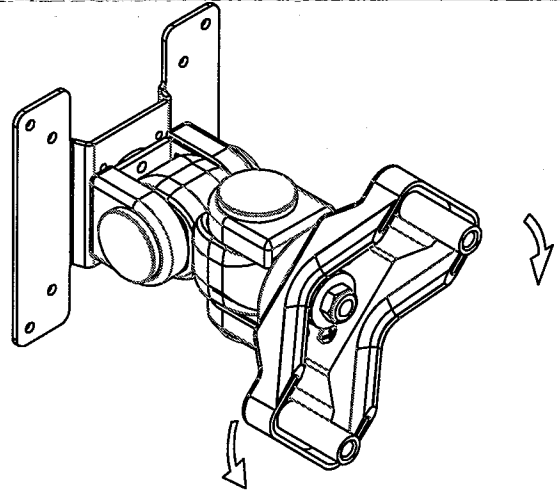


Option:

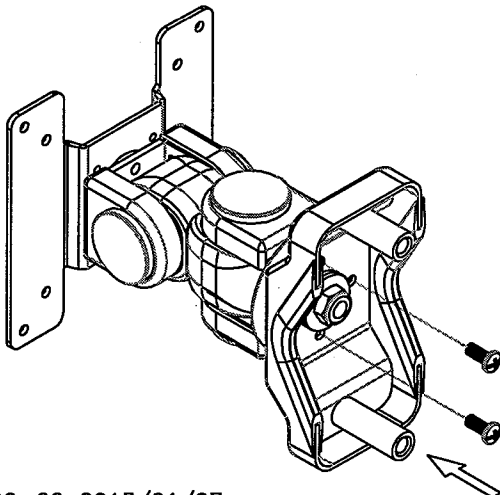
1.



2.



3.



4.

