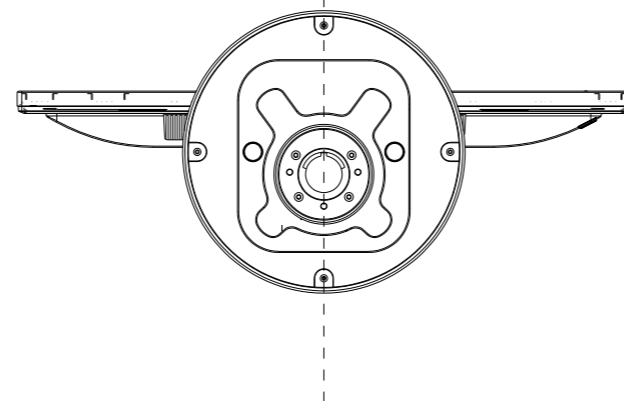
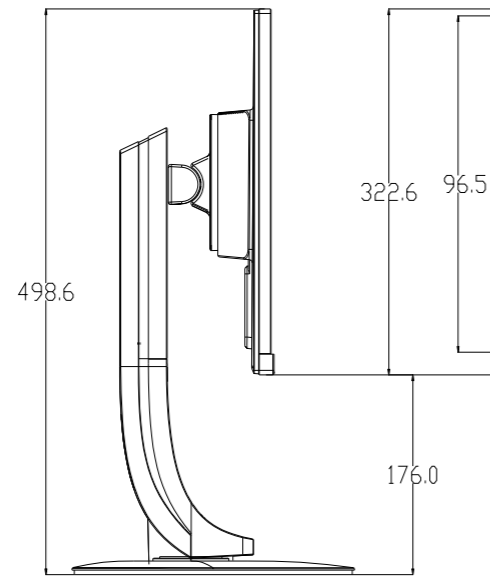
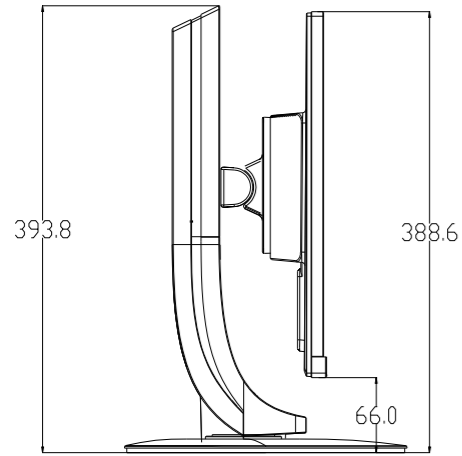
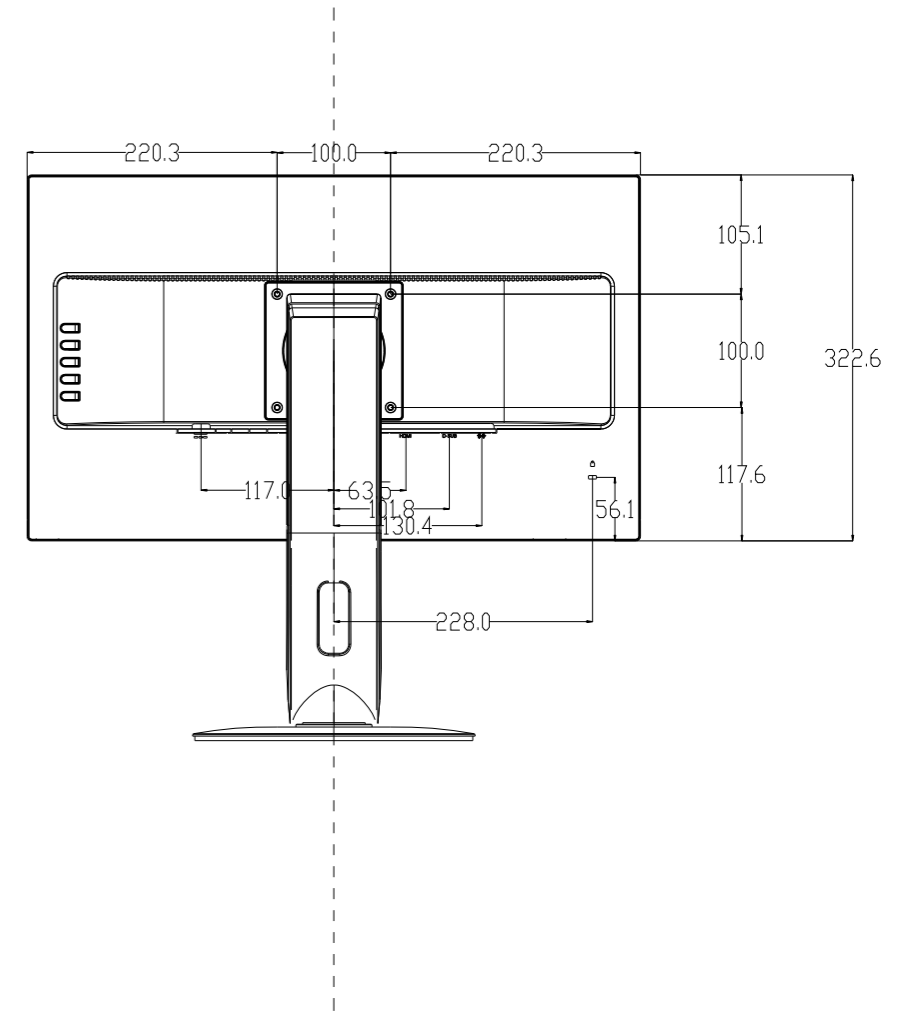
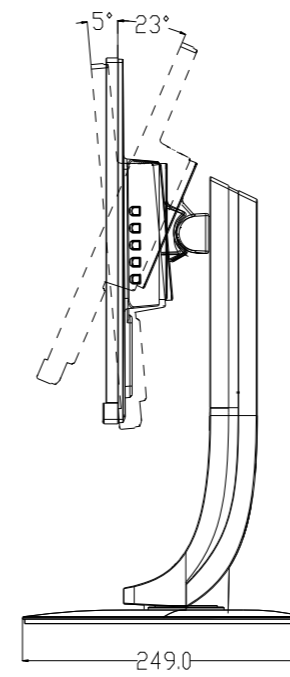
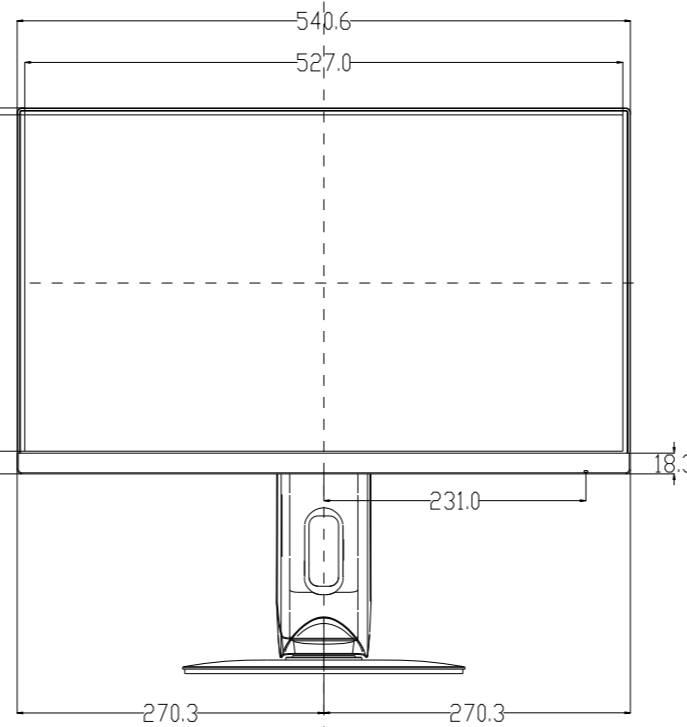
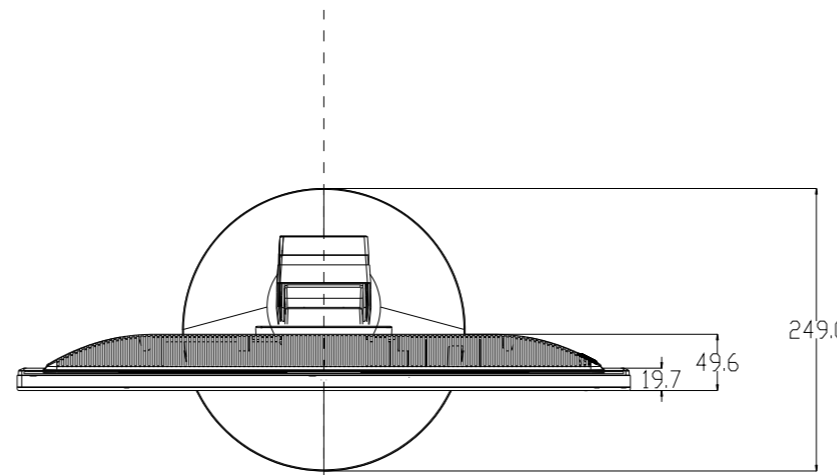


MD-24

NET WEIGHT: 5.62KG (with stand)

3.25KG (w/o stand)



SPECIFICATIONS SUBJECT TO CHANGE WITHOUT NOTICE.



www.agneovo.com

Model Name:

MD-24

THIS DRAWING ON THIS PRINT AND INFORMATION BELONG WITH AG Neovo. ANY REPRODUCTION IN PART OR WHOLE WITHOUT WRITTEN PERMISSION OF AG Neovo IS PROHIBITED.



SCALE 1:1 UNITS MM V.01