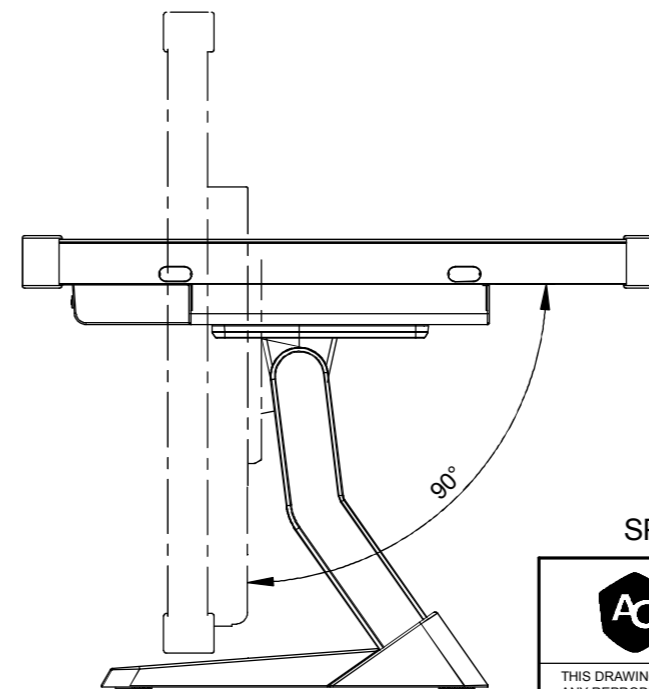
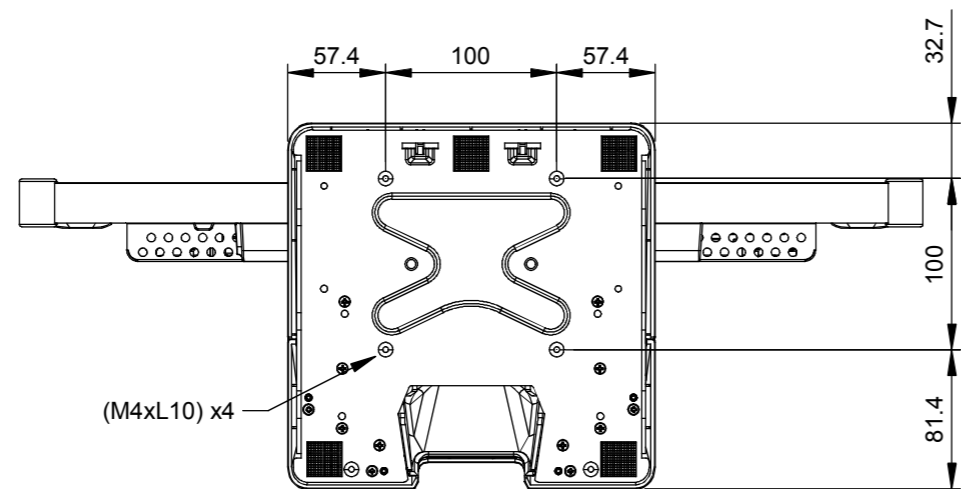
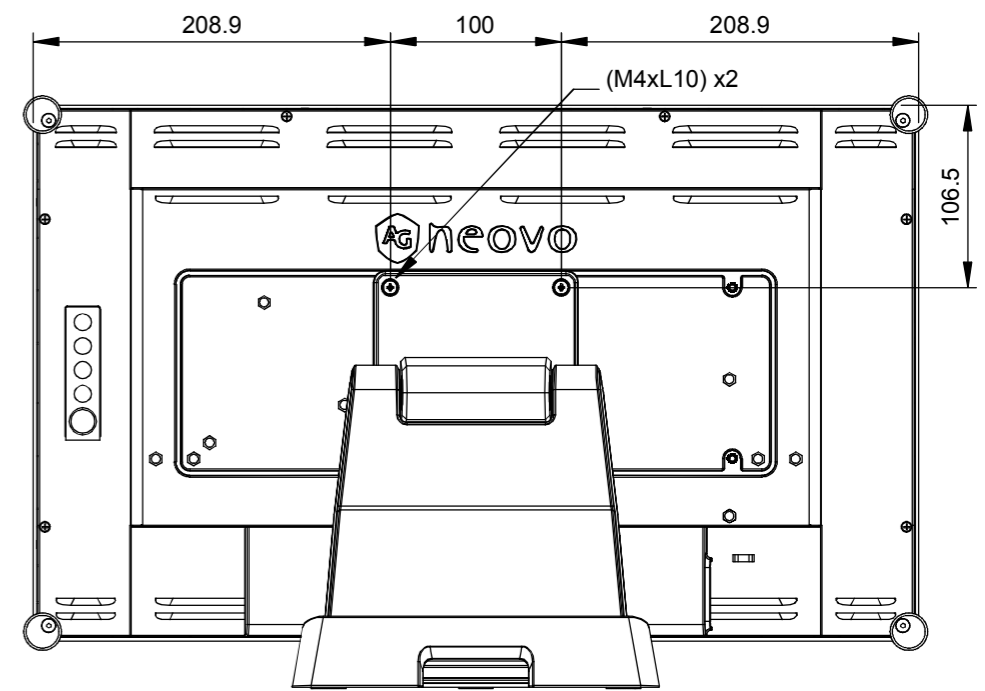
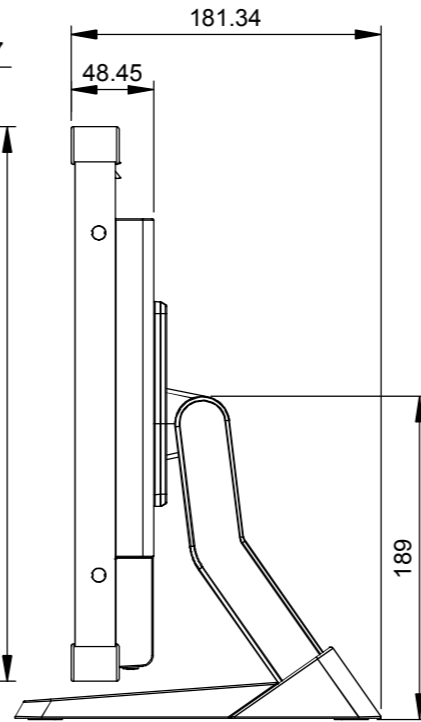
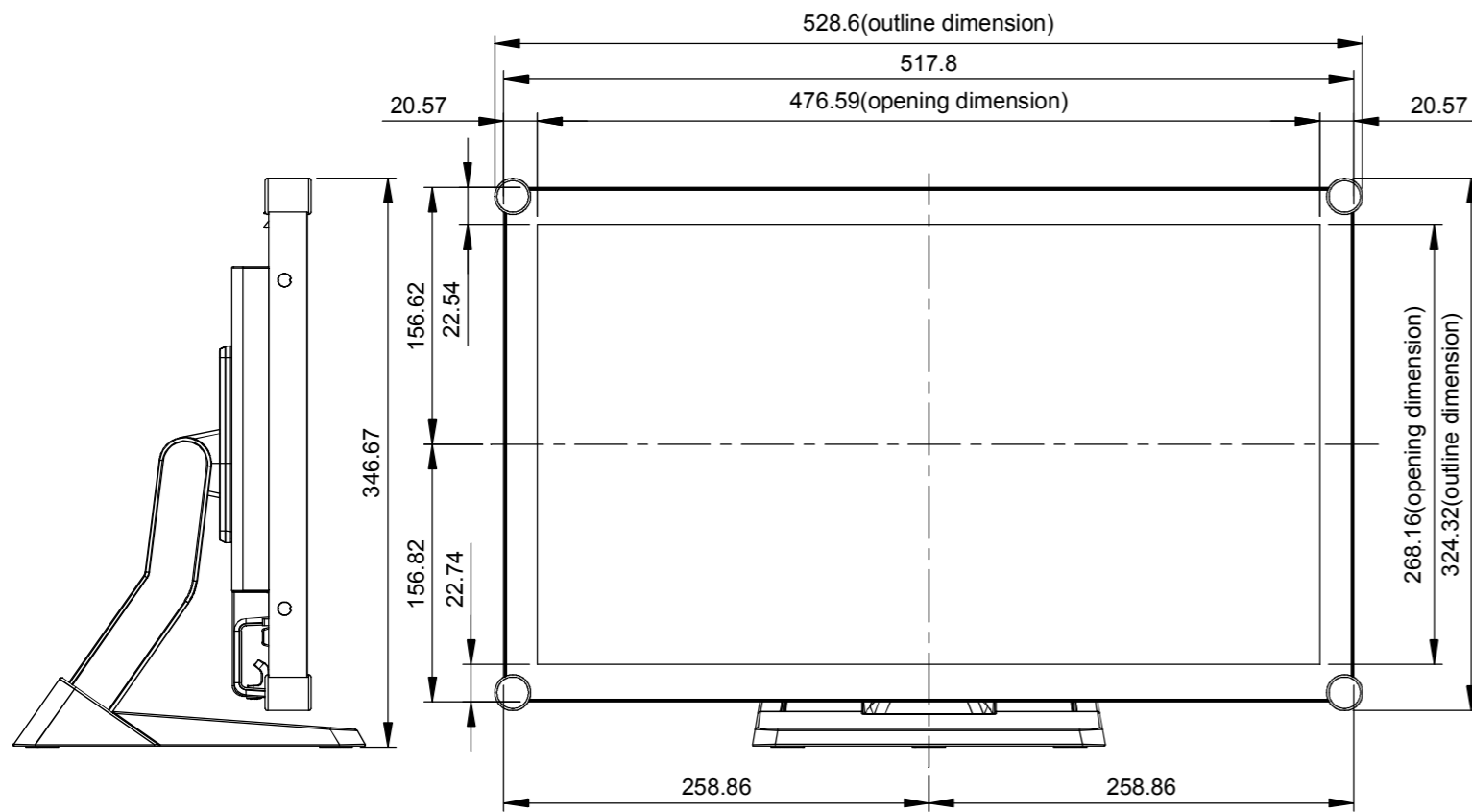


**TX-22**  
**Net Weight: 6.7kg(with stand)**  
**4.8kg(w/o stand)**



SPECIFICATIONS SUBJECT TO CHANGE WITHOUT NOTICE.

 <a href="http://www.agneovo.com">www.agneovo.com</a>	Model Name:
	<b>TX-22</b>
<small>THIS DRAWING ON THIS PRINT AND INFORMATION BELONG WITH AG Neovo. ANY REPRODUCTION IN PART OR WHOLE WITHOUT WRITTEN PERMISSION OF AG Neovo IS PROHIBITED.</small>	<small>THIRD ANGLE PROJECTION</small>
SCALE 1:1	UNITS MM V.01