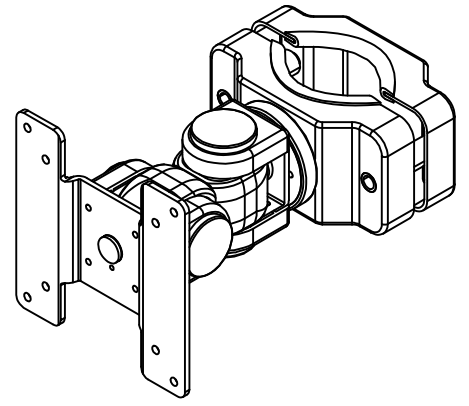
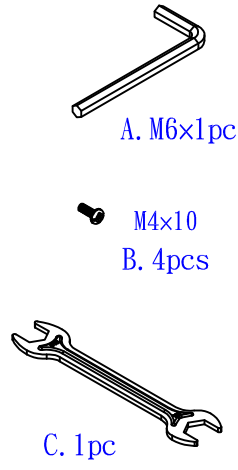
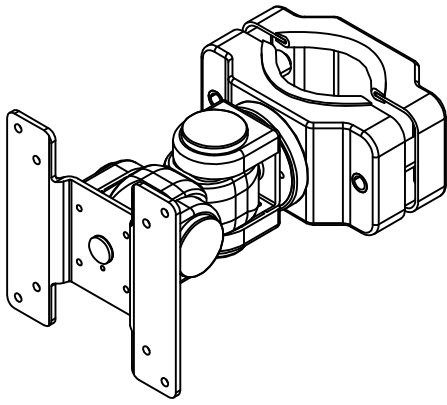


Max Load: 10 Kgs

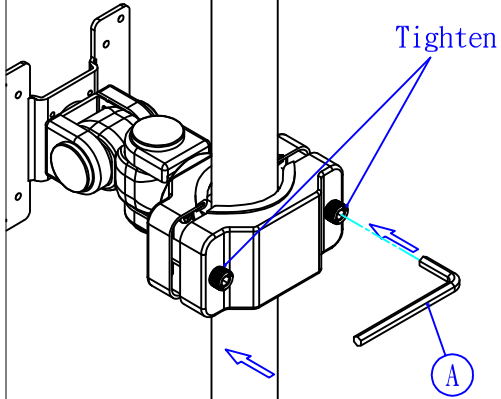
Part List:



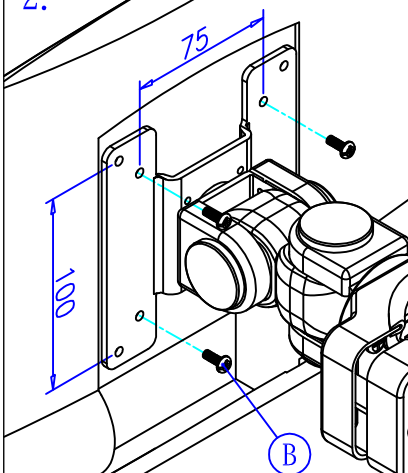
1.

Pole ( $\phi 30\sim 50$ )

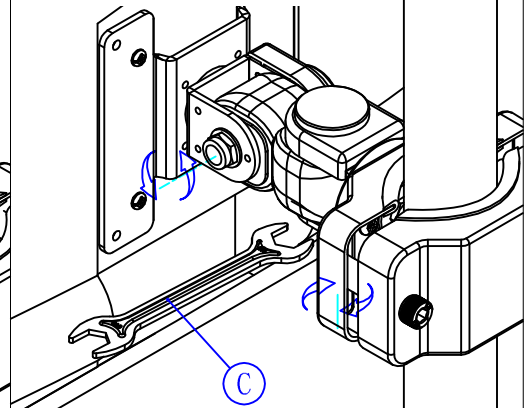
Tighten



2.

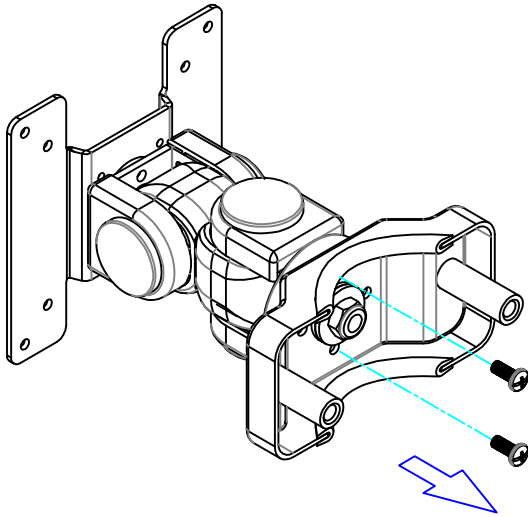


Adjust ... if necessary

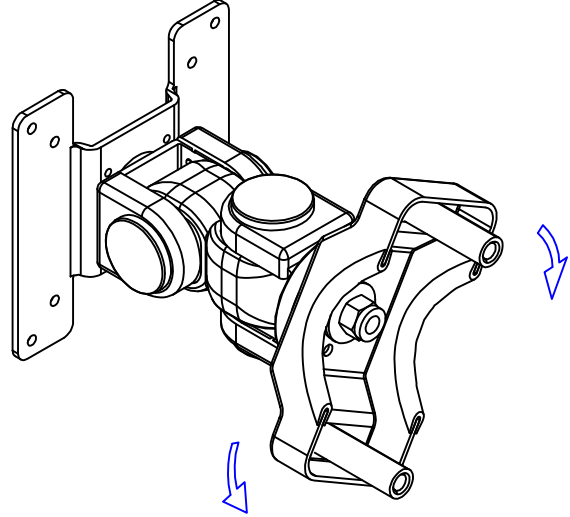


Option:

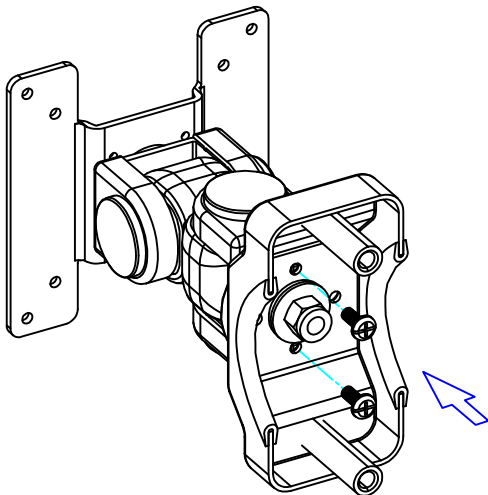
1.



2.



3.



4.

